

## Technical Data Sheet

### Installation of the Heritage 8021 / Craftsbury 8390 Outside Air kit *Assembly 90-53210*

**Publish Date: 7/12/2002**

#### **KIT CONTENTS:**

- (1) Outside Air Adaptor (5902-130)
- (2) Retaining Tabs. (5902-132)
- (2) Cross-tip head screws. (8-32x1")

#### **TOOLS REQUIRED:**

- #2 Cross-tip Screwdriver (6inch)
- Pair of Work Gloves

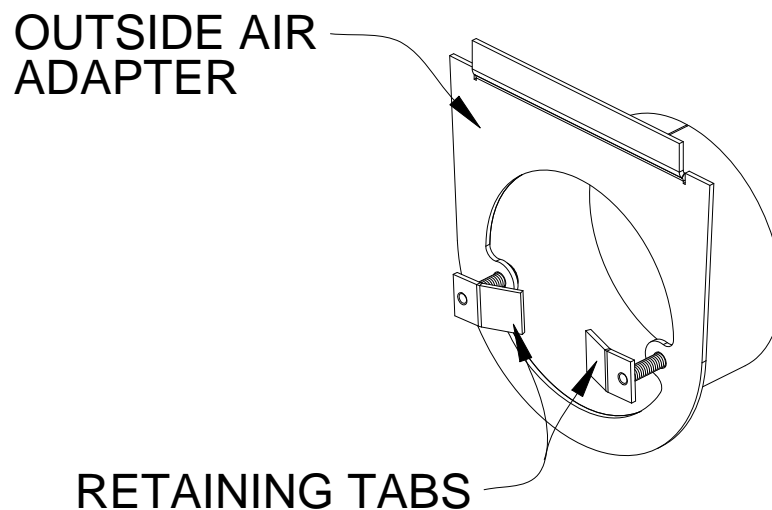
#### **MATERIALS REQUIRED:**

- (1) 3" Flex Pipe
- (2) Hose Clamps
- (1) Termination Hood w/ Screen

**BEFORE YOU BEGIN:** Work on a cool stove. You will need access to the bottom rear of the unit. Identify the assembly pieces listed above. Note: The 3" flex pipe, hose clamps, and termination hood are not provided with this kit, but are necessary to connect the outside air adaptor to the outside air source.

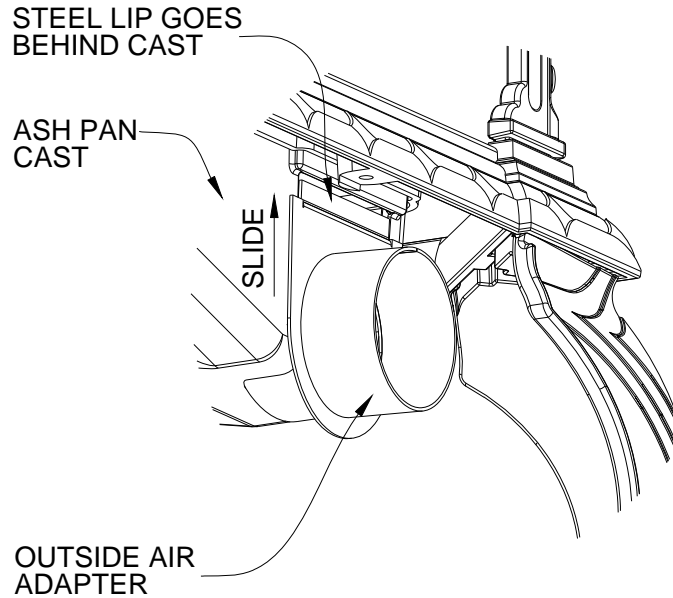
#### **PROCEDURE:**

- 1.) Looking into the end of the outside air adaptor locate the screws with the tabs attached. Loosen each screw using the Cross-tip screwdriver while holding the tab until about a half inch of threads are between the adaptor and the tab. Orientate the tabs to match the position shown in *Figure 1*.



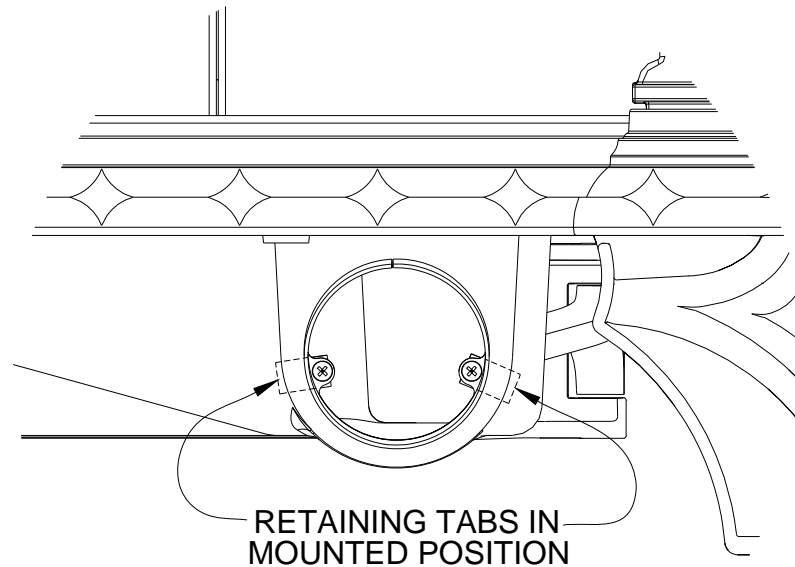
**Figure 1**

2.) Push the outside air box up to the bottom casting; ensure the retaining tabs are kept in the position shown in *Figure 1*, and then go through the hole in the casting. Position the adaptor vertically. Slide the offset portion of the adaptor plate up and into the opening of the cast box as far as it will go (See *Figure 2*).



**Figure 2: The Heritage 8021 is shown**

3.) Press the adaptor plate tightly against the casting. While holding the outside of the adaptor, reach into the 3 inch sleeve with a long Cross-tip screwdriver and push the screw on the right all the way in while keeping tab oriented as in *Figure 1*. Then turn the screw clockwise allowing the tab to turn and rest against the cast continuing to turn screw until tight (Refer to *Figure 3*). Do the same to the left screw while holding the tab in position behind the cast.



**Figure 3**

- 4.) Connect the outside air box to the 3" flex pipe and outside air supply. The outside air box installation is now complete.

**Note:** When considering placement of the duct on the inside and outside of the house, keep in mind the need to avoid wiring and structural members of the house. Locate the termination of the duct on the outside wall in such a manner as to preclude the possibility of obstruction by snow, leaves, or other materials. Screen the outside termination with a ¼" x ¼" mesh rodent screen, and cover it with a rain/wind proof hood. **Periodically check the screen to ensure it is not blocked by debris such as spider webs or leaves.**